

YONG YUAN VALVE

STAINLESS STEEL FLOATING BALL VALVE

SERIES: #AQ41F-300LB



SPECIFICATIONS:

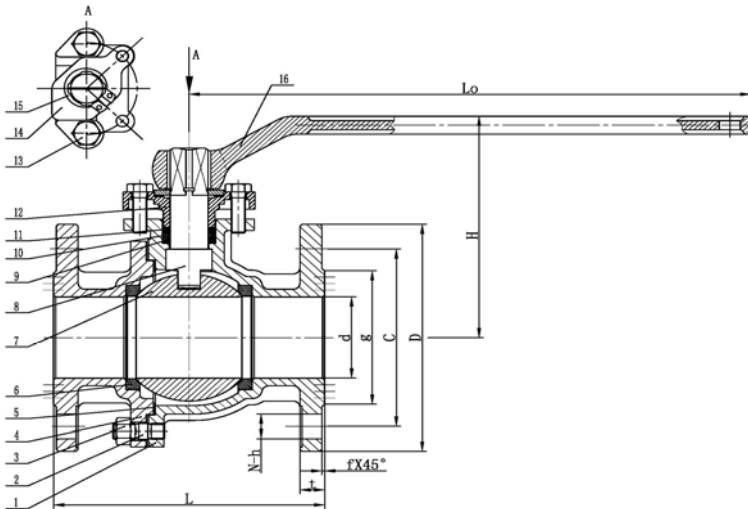
- DESIGN AND MANUFACTURE (FULL PORT)
- FACE TO FACE:ANSI B16.10
- FLANGE:ANSI B16.5
- PRESSURE TEST:API 598 OR ISO5208
- FLANGE FACINGS AVAILABLE ON REQUEST

SPECIFICATIONS

NOMINAL PRESSURE	300 LBS	5.0 Mpa
SHELL STRENGTH (WATER)	1090 Psi	7.5 Mpa
SEALING TEST (WATER)	800 Psi	5.5 Mpa
AIR SEAT PING (AIR)	60~105 Psi	0.4~0.7 Mpa

Parts & Materials

Parts & Materials



No.	Part	Material
1	BODY	CF8
2	STUD BOLT	STAINLESS STEEL
3	NUT	STAINLESS STEEL
4	BONNET	CF8
5	SPIRAL WOUND	PTFE
6	SEAT	RPTFE
7	BALL	SS304
8	STEM	SS304
9	PACKING	PTFE
10	PACKING	PTFE
11	PACKING	PTFE
12	GLAND	CF8
13	HEX BOLT	STAINLESS STEEL
14	LOCATOR CARD	STAINLESS STEEL
15	FLEXIBLE WASHER	65Mn
16	HANDLE	DUCTILE IRON

DIMENSIONS(mm)

DN	L	D	C	g	d	N	h	t	f	H	S	L ₀
15	140	95	66.5	35	15	4	15	15	2	88	11	160
20	152	117	82.5	43	20	4	19	16	2	90	11	160
25	165	124	89	51	25	4	19	18	2	94	11	160
40	190	156	115	73	40	4	22	21	2	124	17	250
50	216	165	127	92	50	8	19	23	2	133	17	250
65	241	190	149	105	65	8	22	26	2	174	22	400
80	283	210	169	127	80	8	22	29	2	187	22	400
100	305	254	200	157	100	8	22	32	2	210	22	400
150	403	318	270	216	150	12	22	37	2	247	24	500
200	502	381	330	270	200	12	22	42	2			

Add:No.87-89,Mingyuan North Avenue, Economic Development Zone, Yongkang,Zhejiang Province,China
 Tel:0086-579-8715288 0086-579-8725688 Fax:0086-579-87151442
 E-mail:cnyvc@cnyvc.com yu@cnyvc.com Http:www.yongyuanvalve.com