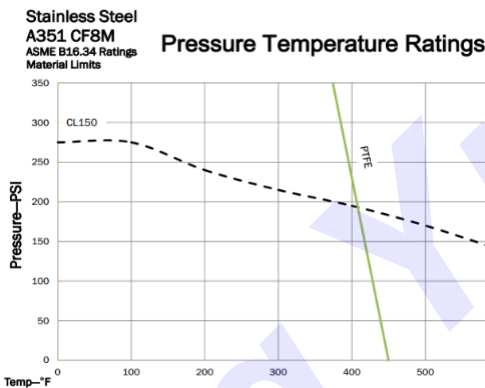
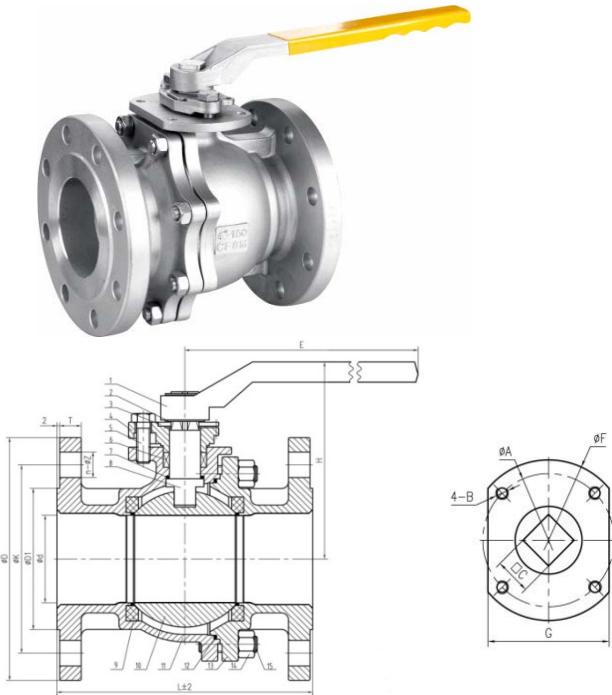


# YONG YUAN VALVE

## STAINLESS STEEL BALL VALVE

### YFBS CLASS 150LB SERIES



#### Features:

- DESIGN AND MANUFACTURE (FULL PORT)
- DESIGN ACCORDING to API 608
- FACE TO FACE ACCORDING to ANSI B16.10
- FLANGE ACCORDING to ANSI B16.5
- PRESSURE TEST ACCORDING to API 6D
- PRESSURE TEMPERATURE ACCORDING to ASME B16.34
- All Materials Meet NACE MR0175
- Fire tested to API 607

#### SPECIFICATIONS

NOMINAL PRESSURE	285 Psi	2.0 Mpa
SHELL STRENGTH (WATER)	450 Psi	3.0 Mpa
SEALING TEST (WATER)	315 Psi	2.2 Mpa
AIR SEAT PING (AIR)	80.8 Psi	0.55 Mpa

#### Parts & Materials

No.	Part	Material
1	HANDLE	SS201
2	FLEXIBLE WASHER	SS304
3	LOCATOR CARD	SS304
4	GLAND	CF8M
5	HEX BOLT	SS304
6	PACKING	PTFE
7	STEM GASKET	PTFE
8	STEM	SS316
9	SEAT	PTFE
10	BALL	SS316
11	BODY	CF8M
12	SPIRAL WOUND	PTFE
13	BONNET	CF8M
14	NUT	SS304
15	STUD BOLT	SS304

#### DIMENSIONS(in)

DN	d	H	E	A	B	C	F	G	CLASS 150					
									D1	K	D	T	n-Z	L
1/2	0.59	2.40	4.72	1.65	M6	0.43	2.09	1.65	1.37	2.37	3.54	0.31	4-0.63	4.25
3/4	0.79	2.56	5.51	1.65	M6	0.43	2.09	1.65	1.69	2.75	3.94	0.35	4-0.63	4.61
1	0.98	3.31	5.91	1.97	M6	0.55	2.64	2.05	2.00	3.13	4.33	0.38	4-0.63	5.00
1-1/4	1.26	3.68	7.09	1.97	M6	0.55	2.64	2.05	2.50	3.50	4.53	0.44	4-0.63	5.51
1-1/2	1.50	3.94	7.09	2.76	M8	0.67	3.27	2.68	2.87	3.87	4.92	0.50	4-0.63	6.50
2	1.97	4.80	7.87	2.76	M8	0.67	3.27	2.68	3.63	4.75	5.91	0.56	4-0.75	7.01
2-1/2	2.56	6.18	10.24	2.76	M8	0.67	3.27	2.68	4.13	5.50	7.09	0.63	4-0.75	7.48
3	3.15	6.57	10.24	4.02	M10	0.87	4.84	3.70	5.00	6.00	7.48	0.69	4-0.75	7.99
4	3.94	7.36	11.81	4.02	M10	0.87	4.84	3.70	6.19	7.50	9.06	0.88	8-0.75	9.02
6	5.98	13.03	23.62	9.50	M12	0.94	6.02	4.58	8.50	9.50	10.98	0.94	8-0.87	15.51
8	7.99	15.98	31.50	11.75	M16	1.06	6.89	5.28	10.63	11.75	13.50	1.06	8-0.87	17.99